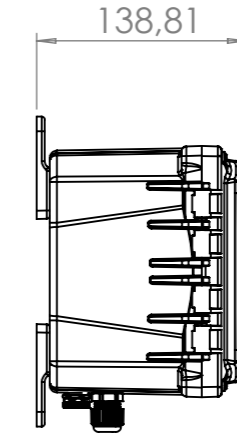
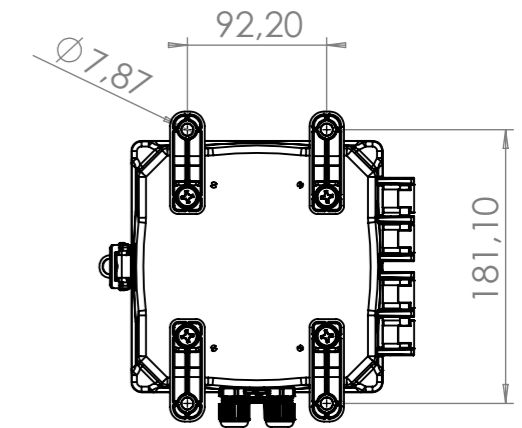


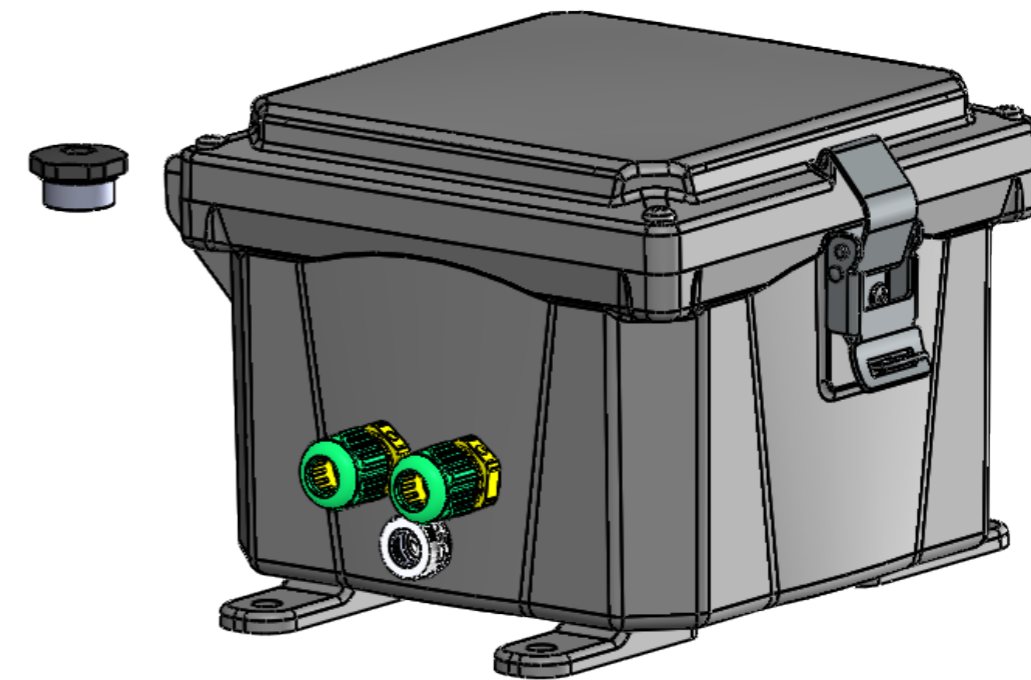
Front view
SCALE 1 : 5




Left View
SCALE 1 : 5



Back View
SCALE 1 : 5



General tolerance: Metallic materials - ISO 2768-f Sharp edges to be broken						Date: (yyyy-mm-dd) 2023-06-20
ViAr	FrJa	FrJa	1:2	A3	-	
Drawn	Checked	Approved	Scale	Sheet	Material	Surface Finish:
						Draw.No.
						Description Protective Enclosure for Release Switch and IRPB HM-0773
Tel.: +46 31 709 65 50			Sheet1 of 1		Rev.: 1	