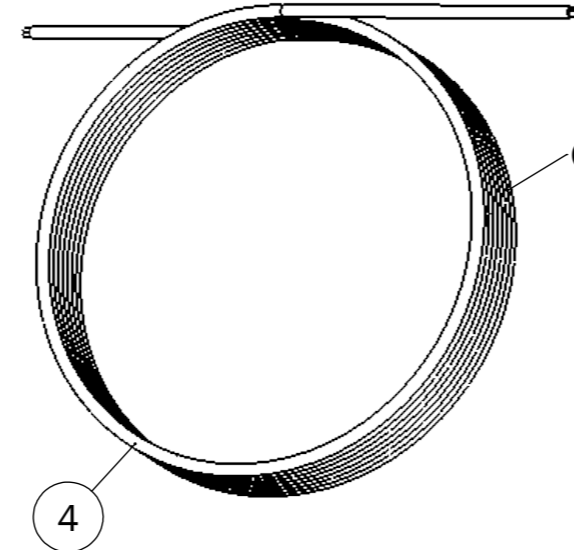
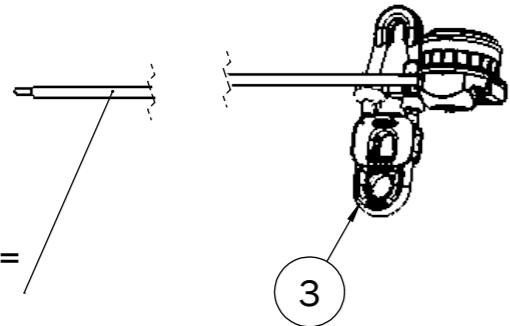
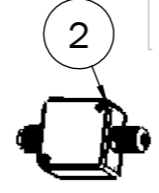
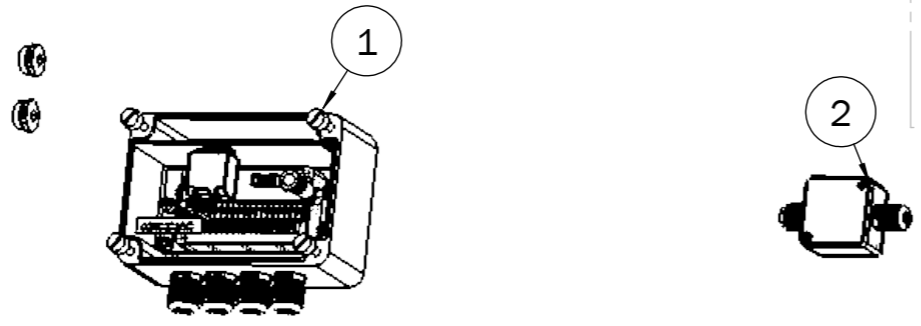


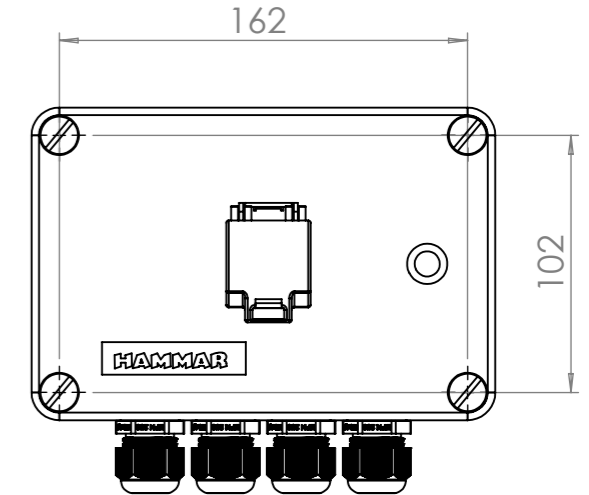
ITEM NO.	PART NUMBER	DESCRIPTION	QTY.
1	HM-0461	ERRS Control Box LAD	1
2	HM-0430	K-Box	1
3	HM-0414	H20 ERU Standard SOLAS model (RED/YELLOW)	1
4	HM-0440	Cable - Control panel to Connector box	1



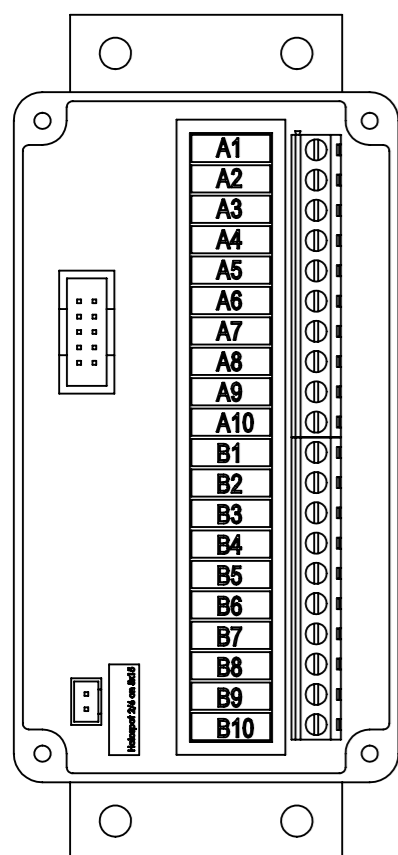
Cable length = 1800 ± 20

Cable length = 10m

INSTALLATION COMPONENTS



INSTALLATION HOLE PATTERN



- A1-ERU 2 (no polarity) jumper if not used
- A2-ERU 2 (no polarity) jumper if not used
- A3-ERU 1 (no polarity)
- A4-ERU 1 (no polarity)
- A5-Input from additional push-button -
- A6-Input from additional push-button +
- A7-Reset switch -
- A8-Reset switch +
- A9-not used
- A10-not used
- B1-Input from activation switch -
- B2-Input from activation switch +
- B3-Input from activation switch, loop
- B4-Output alarm, system ok=closed contact B4-B5
- B5-Output alarm, system ok=closed contact B4-B5
- B6-LED indicator -
- B7-LED indicator RED +
- B8-LED indicator GREEN +
- B9-0VDC from emergency power supply system on ship
- B10-24VDC from emergency power supply system on ship

CONNECTION SCHEDULE

ZONE	REV.	DESCRIPTION	DATE	APPROVED
	3	Title & BOM updated	2023-09-18	FJ
	2	Connection schedule added	2023-08-23	FJ

REVISIONS						Date: (yyyy-mm-dd) 2023-03-15
ViAr	JoUn	FrJa	1:5	A3	-	Surface Finish:
Drawn	Checked	Approved	Scale	Sheet	Material	Draw.No.
						HM-0461-L
General tolerance: Metallic materials - ISO 2768-f Sharp edges to be broken						Rev.: 3

List Angle Detection System Light

Tel.: +46 31 709 65 50

Sheet 1 of 1