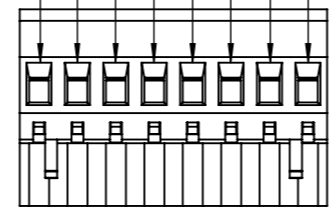
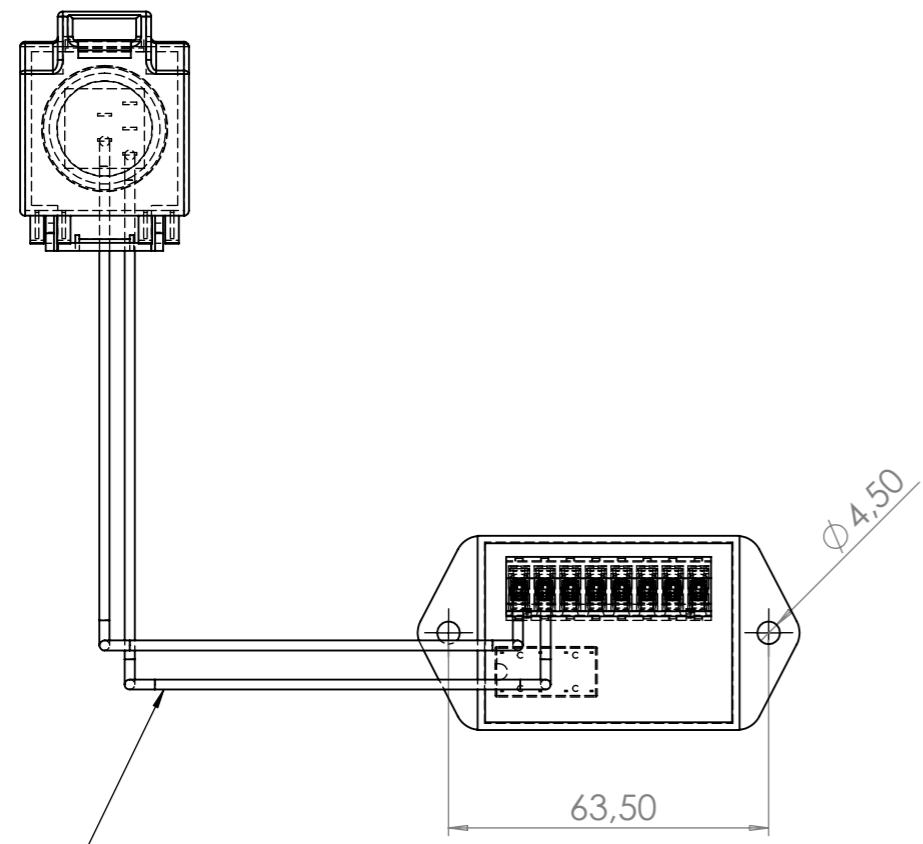


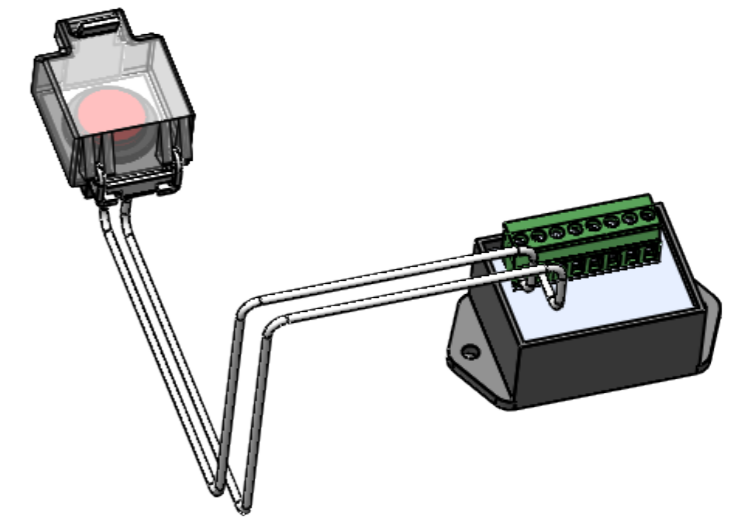
- 4 H2O ERU no polarity
- 3 H2O ERU no polarity
- 2 Push button +
- 1 Push button -
- 5 Optional ERRS -
- 6 Optional ERRS +
- 7 24V DC -
- 8 24V DC +



TERMINAL CONNECTIONS
SCALE 1 : 1



(2x) 250 ± 20 wire



General tolerance: Metallic materials - ISO 2768-f Sharp edges to be broken						Date: (yyyy-mm-dd) 2022-11-02
ViAr	JoUn	FrJa	1:2	A3	-	Surface Finish:
Drawn	Checked	Approved	Scale	Sheet	Material	Draw.No.
HAMMAR		Description				Draw.No.
Tel.: +46 31 709 65 50		Connection Schedule				A020105
		Sheet4 of 4				Rev.: 5