



# TECHNICAL PRODUCT INFORMATION

## HAMMAR COR ELECTRONIC INFLATOR

# TECHNICAL PRODUCT INFORMATION

The COR Inflation system consists of three parts: ECU (Electronic Control Unit), Adaptor with cable and the Cylinder Assembly

## OPERATING CONDITIONS

Temperature range:	-30 to +70 °C (-22 to 158 °F) (At temperatures above 0 °C all operational parameters are active. At temperatures below 0 °C, the activation parameters; water pressure, is excluded.)
Maximum water depth:	10 meters (32.8 ft)
Expiration:	Electronic Inflator 10 years from manufacturing date. Cylinder Assembly 5 years from manufacturing date. Battery approximately 4 years in operational mode.

## EMC

EMC performance according to marine standard IEC 60945:2002 chapter 9 (emissions) and 10 (immunity).

## PRODCUT COMPATIBILITY

Lifejackets with the Hammar Sealing ring system are interchangeable with the different Hammar inflators; COR (Electronic Inflator), MA1 (Automatic Inflator) and M2 (Manual Inflator).

## POWER SUPPLY

Battery CR2; 3V, 800mAh, Lithium battery

## PRODUCT MARKING

### The Electronic Inflator is marked:

Serial number XXXXX Manufacturing date YYMM Security number XXX

The cable between the ECU and Adaptor is tagged with a self adhesive label with date of expiry for the Cylinder Assembly.

### The Cylinder Assembly is marked:

With the gross weight, gas content, manufacturing date and date of expiry at the time of delivery. The Cylinder Assembly has an expiry date set to 5 years from the date of manufacturing.

## TRANSPORTATION AND STORAGE

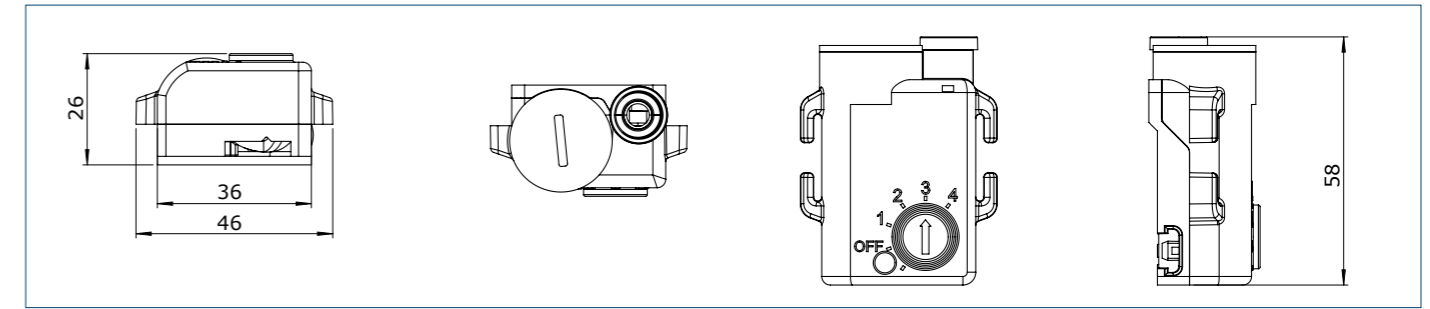
The Cylinder Assembly has been classified as a non-explosive component (by US DOT and Swedish MSB) for transport, storage, sales and use. This is due to the very low weight of the miniature charge and the design of the piercing unit.

If the CO2 cylinder consists of more than 33 gram it is classified as dangerous goods (UN2037, Class 2), the entire Cylinder Assembly unit must be packed and shipped accordingly.

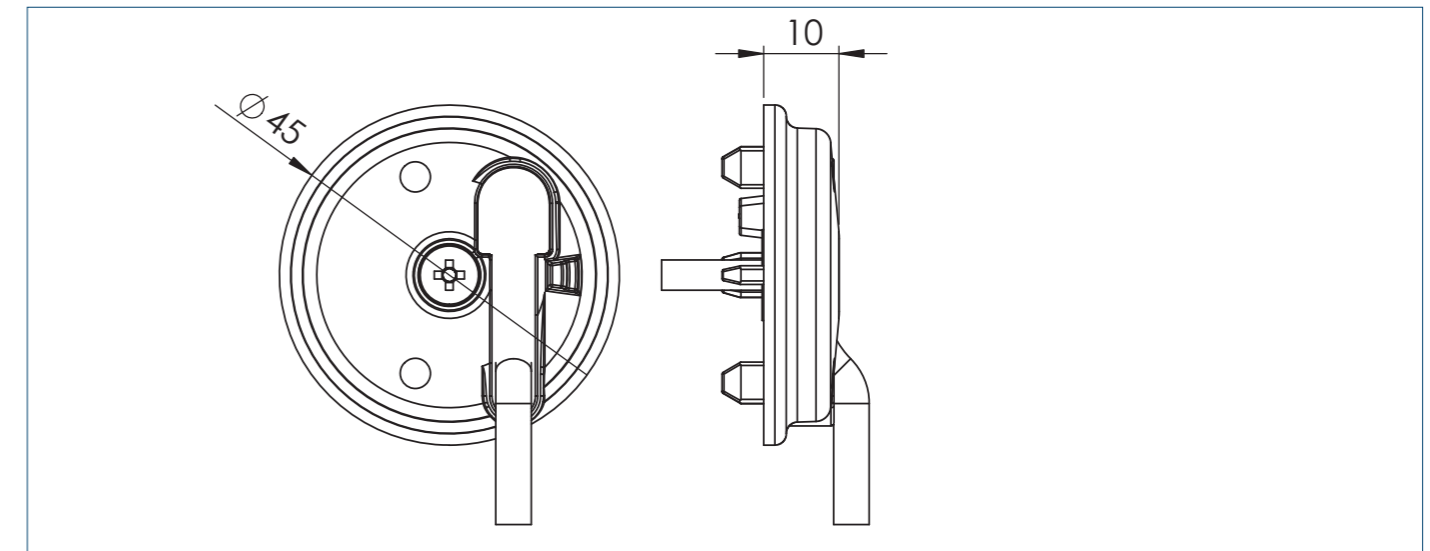
CR2 Lithium battery (UN3090) with a content of 0,3 gram Lithium is exempted in dangerous goods regulation.

# DRAWINGS

## ELECTRONIC CONTROL UNIT



## ADAPTOR WITH CABLE



## CYLINDER ASSEMBLY

